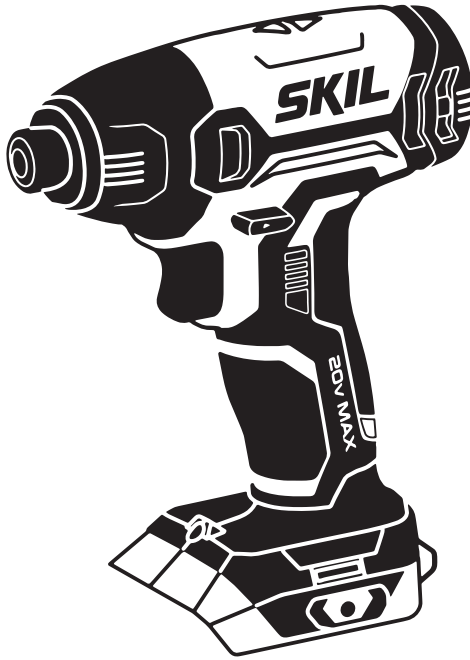


SKIL®

Owner's Manual
Guide d'utilisation
Manual del propietario



Model/ Modelo/ Modèle: ID572701

20V 1/4" Hex Impact Driver

Clé à chocs hexagonale de 1/4 po et de 20 V

▲ WARNING: To reduce the risk of injury, the user must read and understand the Owner's Manual before using this product. Save these instructions for future reference.

▲ AVERTISSEMENT : Afin de réduire les risques de blessure, l'utilisateur doit lire et comprendre le guide d'utilisation avant d'utiliser cet article. Conservez le présent guide afin de pouvoir le consulter ultérieurement.

▲ ADVERTENCIA : Para reducir el riesgo de lesiones, el usuario debe leer y comprender el Manual del operador antes de utilizar este producto. Guarde estas instrucciones para consultarlas en caso sea necesario.



For Customer Service
Pour le service à la clientèle
Servicio al cliente

1-877-SKIL-999 OR www.skil.com

TABLE OF CONTENTS

General Power Tool Safety Warnings	3-5
Safety Warnings for Impact Driver.....	5
Symbols	6-9
Get to Know Your Impact Driver	10
Specifications	10
Operating Instructions	11-15
Maintenance.....	16
Troubleshooting	16
Limited Warranty of SKIL Cordless Tool.....	17

WARNING

- Some dust created by power sanding, sawing, grinding, drilling and other construction activities contains chemicals known to the State of California to cause cancer, birth defects or other reproductive harm. Some examples of these chemicals are:
 - Lead from lead-based paints.
 - Crystalline silica from bricks, cement, and other masonry products.
 - Arsenic and chromium from chemically-treated lumber.
- Your risk from these exposures varies, depending upon how often you do this type of work. To reduce your exposure to these chemicals:
 - Work in a well-ventilated area.
 - Work with approved safety equipment, such as dust masks that are specially designed to filter out microscopic particles.
 - Avoid prolonged contact with dust from power sanding, sawing, grinding, drilling, and other construction activities. Wear protective clothing and wash exposed areas with soap and water. Allowing dust to get into your mouth or eyes or to lie on the skin may promote absorption of harmful chemicals.

GENERAL POWER TOOL SAFETY WARNINGS



Read all safety warnings, instructions, illustrations and specifications provided with this power tool . Failure to follow all instructions listed below may result in electric shock, fire and/or serious injury.

SAVE ALL WARNINGS AND INSTRUCTIONS FOR FUTURE REFERENCE.

The term “power tool” in the warnings refers to your mains-operated (corded) power tool or battery-operated (cordless) power tool.

Work area safety

Keep work area clean and well lit. Cluttered or dark areas invite accidents.

Do not operate power tools in explosive atmospheres, such as in the presence of flammable liquids, gases or dust. Power tools create sparks which may ignite the dust or fumes.

Keep children and bystanders away while operating a power tool. Distractions can cause you to lose control.

Electrical safety

Power tool plugs must match the outlet. Never modify the plug in any way. Do not use any adapter plugs with earthed (grounded) power tools. Unmodified plugs and matching outlets will reduce risk of electric shock.

Avoid body contact with earthed or grounded surfaces, such as pipes, radiators, ranges and refrigerators. There is an increased risk of electric shock if your body is earthed or grounded.

Do not expose power tools to rain or wet conditions. Water entering a power tool will increase the risk of electric shock.

Do not abuse the cord. Never use the cord for carrying, pulling or unplugging the power tool. Keep cord away from heat, oil, sharp edges or moving parts. Damaged or entangled cords increase the risk of electric shock.

When operating a power tool outdoors, use an extension cord suitable for outdoor use. Use of a cord suitable for outdoor use reduces the risk of electric shock.

If operating a power tool in a damp location is unavoidable, use a ground fault circuit interrupter (GFCI) protected supply. Use of a GFCI reduces the risk of electric shock.

Personal safety

Stay alert, watch what you are doing and use common sense when operating a power tool. Do not use a power tool while you are tired or under the influence of drugs, alcohol or medication. A moment of inattention while operating power tools may result in serious personal injury.

Use personal protective equipment. Always wear eye protection. Protective equipment such as a dust mask, non-skid safety shoes, hard hat or hearing protection used for appropriate conditions will reduce personal injuries.

Prevent unintentional starting. Ensure the switch is in the off-position before connecting to power source and/or battery pack, picking up or carrying the tool. Carrying power tools with your finger on the switch or energising power tools that have the switch on invites accidents.

Remove any adjusting key or wrench before turning the power tool on. A wrench or a key left attached to a rotating part of the power tool may result in personal injury.

Do not overreach. Keep proper footing and balance at all times. This enables better control of the power tool in unexpected situations.

Dress properly. Do not wear loose clothing or jewellery. Keep your hair and clothing away from moving parts. Loose clothes, jewellery or long hair can be caught in moving parts.

If devices are provided for the connection of dust extraction and collection facilities, ensure these are connected and properly used. Use of dust collection can reduce dust-related hazards.

Do not let familiarity gained from frequent use of tools allow you to become complacent and ignore tool safety principles. A careless action can cause severe injury within a fraction of a second.

Power tool use and care

Do not force the power tool. Use the correct power tool for your application. The correct power tool will do the job better and safer at the rate for which it was designed.

Do not use the power tool if the switch does not turn it on and off. Any power tool that cannot be controlled with the switch is dangerous and must be repaired.

Disconnect the plug from the power source and/or remove the battery pack, if detachable, from the power tool before making any adjustments, changing accessories, or storing power tools. Such preventive safety measures reduce the risk of starting the power tool accidentally.

Store idle power tools out of the reach of children and do not allow persons unfamiliar with the power tool or these instructions to operate the power tool. Power tools are dangerous in the hands of untrained users.

Maintain power tools and accessories. Check for misalignment or binding of moving parts, breakage of parts and any other condition that may affect the power tool's operation. If damaged, have the power tool repaired before use. Many accidents are caused by poorly maintained power tools.

Keep cutting tools sharp and clean. Properly maintained cutting tools with sharp cutting edges are less likely to bind and are easier to control.

Use the power tool, accessories and tool bits etc. in accordance with these instructions, taking into account the working conditions and the work to be performed. Use of the power tool for operations different from those intended could result in a hazardous situation.

Keep handles and grasping surfaces dry, clean and free from oil and grease.

Slippery handles and grasping surfaces do not allow for safe handling and control of the tool in unexpected situations.

Battery tool use and care

Recharge only with the charger specified by the manufacturer. A charger that is suitable for one type of battery pack may create a risk of fire when used with another battery pack.

Use power tools only with specifically designated battery packs. Use of any other battery packs may create a risk of injury and fire.

When battery pack is not in use, keep it away from other metal objects, like paper clips, coins, keys, nails, screws or other small metal objects, that can make a connection from one terminal to another. Shorting the battery terminals together may cause burns or a fire.

Under abusive conditions, liquid may be ejected from the battery; avoid contact. If contact accidentally occurs, flush with water. If liquid contacts eyes, additionally seek medical help. Liquid ejected from the battery may cause irritation or burns.

Do not use a battery pack or tool that is damaged or modified. Damaged or modified batteries may exhibit unpredictable behaviour resulting in fire, explosion or risk of injury.

Do not expose a battery pack or tool to fire or excessive temperature. Exposure to fire or temperature above 265 °F may cause explosion.

Follow all charging instructions and do not charge the battery pack or tool outside the temperature range specified in the instructions. Charging improperly or at temperatures outside the specified range may damage the battery and increase the risk of fire.

Service

Have your power tool serviced by a qualified repair person using only identical replacement parts. This will ensure that the safety of the power tool is maintained.

Never service damaged battery packs. Service of battery packs should only be performed by the manufacturer or authorized service providers.

SAFETY WARNINGS FOR IMPACT DRIVER





Hold the power tool by insulated gripping surfaces, when performing an operation where the fastener may contact hidden wiring. Fasteners contacting a “live” wire may make exposed metal parts of the power tool “live” and could give the operator an electric shock.

SYMBOLS

Safety Symbols

The purpose of safety symbols is to attract your attention to possible dangers. The safety symbols and the explanations with them deserve your careful attention and understanding. The symbol warnings do not, by themselves, eliminate any danger. The instructions and warnings they give are no substitutes for proper accident prevention measures.

⚠ WARNING Be sure to read and understand all safety instructions in this Owner's Manual, including all safety alert symbols such as "**DANGER**," "**WARNING**," and "**CAUTION**" before using this tool. Failure to following all instructions listed below may result in electric shock, fire, and/or serious personal injury.

The definitions below describe the level of severity for each signal word. Please read the manual and pay attention to these symbols.	
	This is the safety alert symbol. It is used to alert you to potential personal injury hazards. Obey all safety messages that follow this symbol to avoid possible injury or death.
	DANGER indicates a hazardous situation which, if not avoided, will result in death or serious injury.
	WARNING indicates a hazardous situation which, if not avoided, could result in death or serious injury.
	CAUTION, used with the safety alert symbol, indicates a hazardous situation which, if not avoided, will result in minor or moderate injury.

Damage Prevention and Information Messages

These inform the user of important information and/or instructions that could lead to equipment or other property damage if they are not followed. Each message is preceded by the word "NOTICE", as in the example below:









NOTICE: Equipment and/or property damage may result if these instructions are not followed.






⚠ WARNING The operation of any power tools can result in foreign objects being thrown into your eyes, which can result in severe eye damage. Before beginning power tool operation, always wear safety goggles or safety glasses with side shields and a full face shield when needed. We recommend a Wide Vision Safety Mask for use over eyeglasses or standard safety glasses with side shields. Always use eye protection which is marked to comply with ANSI Z87.1.

SYMBOLS (CONTINUED)






IMPORTANT: Some of the following symbols may be used on your tool. Please study them and learn their meaning. Proper interpretation of these symbols will allow you to operate the tool better and more safely.

Symbol	Name	Designation/Explanation
V	Volts	Voltage (potential)
A	Amperes	Current
Hz	Hertz	Frequency (cycles per second)
W	Watt	Power
kg	Kilograms	Weight
min	Minutes	Time
s	Seconds	Time
Wh	Watt-hours	Battery capacity
Ah	Ampere-Hours	Battery capacity
∅	Diameter	Size of drill bits, grinding wheels, etc.
n_0	No-load speed	Rotational speed, at no load
n	Rated speed	Maximum attainable speed
.../min	Revolutions or reciprocations per minute	Revolutions, strokes, surface speed, orbits, etc. per minute
0	Off position	Zero speed, zero torque...
1,2,3,... I,II,III,	Selector settings	Speed, torque or position settings. Higher number means greater speed
	Infinitely variable selector with off	Speed is increasing from 0 setting
	Arrow	Action in the direction of arrow
	Alternating current	Type or a characteristic of current
	Direct current	Type or a characteristic of current
	Alternating or direct current	Type or a characteristic of current
	Class II construction	Designates Double Insulated Construction tools.
	Earthing terminal	Grounding terminal
	Li-ion RBRC seal	Designates Li-ion battery recycling program

Symbol	Name	Designation/Explanation
	Ni-Cad RBRC seal	Designates Ni-Cad battery recycling program
	Read manual symbol	Alerts user to read manual
	Wear eye protection symbol	Always wear safety goggles or safety glasses with side shields and a full face shield when operating this product.

SYMBOLS (CERTIFICATION INFORMATION)

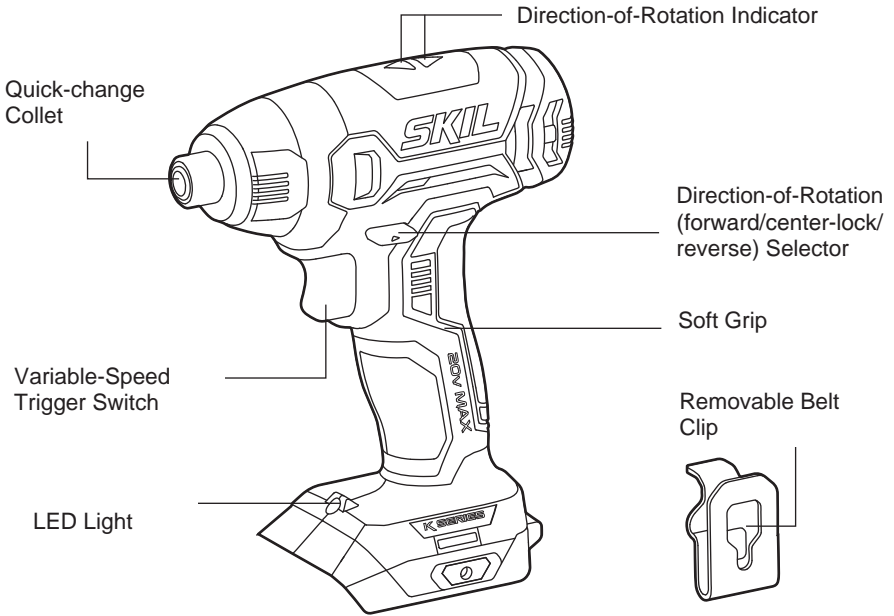
IMPORTANT: Some of the following symbols for certification information may be used on your tool. Please study them and learn their meaning. Proper interpretation of these symbols will allow you to operate the tool better and more safely.

Symbol	Designation/Explanation
	This symbol designates that this tool is listed by Underwriters Laboratories.
	This symbol designates that this tool is recognized by Underwriters Laboratories.
	This symbol designates that this tool is listed by Underwriters Laboratories, to United States and Canadian Standards.
	This symbol designates that this tool is listed by the Canadian Standards Association.
	This symbol designates that this tool is listed by the Canadian Standards Association, to United States and Canadian Standards.
	This symbol designates that this tool is listed by the Intertek Testing Services, to United States and Canadian Standards.
	This symbol designates that this tool complies to NOM Mexican Standards.

GET TO KNOW YOUR IMPACT DRIVER

20V 1/4" Hex Impact Driver

Fig. 1



SPECIFICATIONS

Rated voltage	20V d.c.
Collet size	1/4" Hex (power groove impact bits only)
No-load speed	0~2500 /min
Recommended working temperature	14 ~ 104°F (-10 ~ 40°C)
Recommended storage temperature	32 ~ 104°F (0 ~ 40°C)

OPERATING INSTRUCTIONS

⚠ WARNING To reduce the risk of fire, personal injury, and product damage due to a short circuit, never immerse your tool, battery pack or charger in fluid or allow a fluid to flow inside them. Corrosive or conductive fluids, such as seawater, certain industrial chemicals, and bleach or bleach-containing products, etc. can cause a short circuit.

⚠ WARNING If any parts are damaged or missing, do not operate this product until the parts are replaced. Use of this product with damaged or missing parts could result in serious personal injury.

⚠ WARNING Do not attempt to modify this impact driver or create accessories not recommended for use with this impact driver. Any such alteration or modification is misuse and could result in a hazardous condition leading to possible serious injury.

⚠ WARNING To prevent accidental starting that could cause serious personal injury, always remove the battery pack from the impact driver when assembling parts, making adjustments, cleaning, or performing maintenance.

This cordless impact driver must be used only with the battery packs and chargers listed below:

Battery Pack			Charger
2Ah	4Ah	5Ah	
SKIL BY519701	SKIL BY519601	SKIL BY519603	SKIL SC535801

NOTICE: Please refer to the battery and charger manuals for detailed operating information.

To Attach/Detach Battery Pack (Fig. 2)

Lock the variable-speed trigger switch “OFF” on the tool by placing the direction-of-rotation (forward/center-lock/reverse) selector in the center position before attaching or detaching the battery pack.

To attach the battery pack:

Align the raised rib on the battery pack with the grooves in the tool, and then slide the battery pack onto the tool.

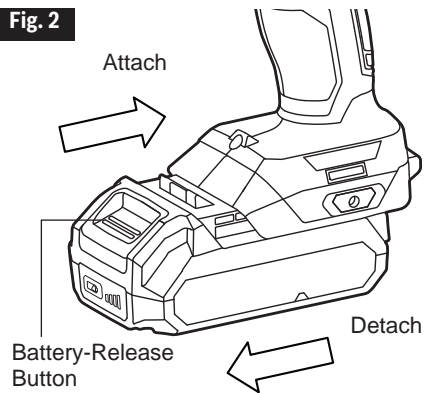
To detach the battery pack:

Depress the battery-release button, located on the front of the battery pack, to release the battery pack. Pull the battery pack out and remove it from the tool.

NOTICE: When placing the battery pack onto the tool, be sure that the raised rib on battery pack aligns with the groove inside the tool and that the latches snap into place properly. Improper attachment of the battery pack can cause damage to internal components.

⚠ WARNING Battery tools are always in operating condition. Therefore, the direction-of-rotation (forward/center-lock/reverse) selector should always be locked in the center position when the tool is not in use or carrying it at your side.

Fig. 2



Direction-of-Rotation (Forward/Center-Lock/Reverse) Selector

⚠ WARNING After tool use, lock the direction-of-rotation selector in the “OFF” position (center-lock) to help prevent accidental starts and possible injury.

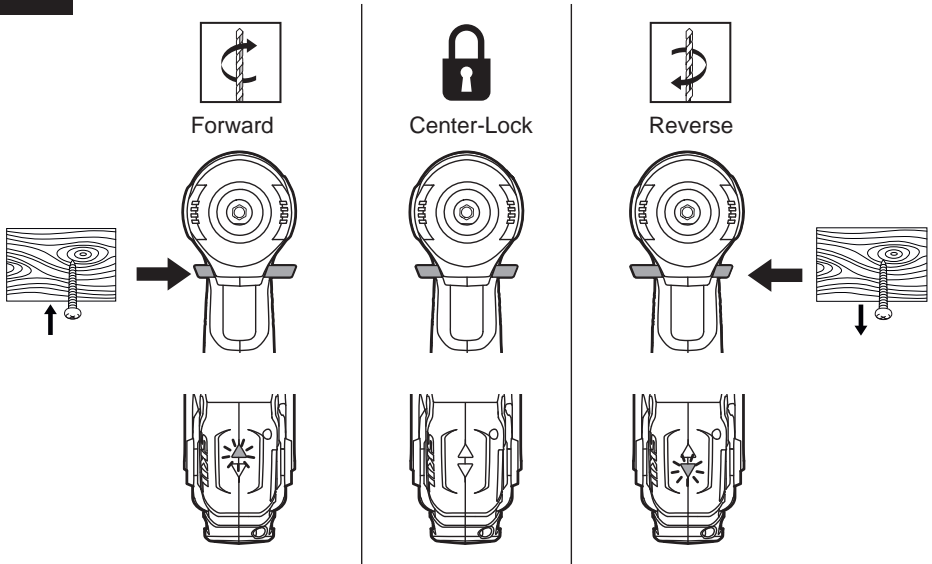
Your tool is equipped with a direction-of-rotation selector, located above the variable-speed trigger switch. This selector is used to change the direction of rotation of the bit and to lock the variable-speed trigger in the “OFF” (center-lock) position (Fig. 3).

- Position the direction-of-rotation selector to the far right of the tool for forward rotation.
- Position the direction-of-rotation selector to the far left of the tool for reverse rotation.
- Position the switch in the “OFF” (center-lock) position to help reduce the possibility of accidental starting when not in use.

NOTICE: To prevent gear damage, always allow the impact driver to come to a complete stop before changing the direction of rotation.

NOTICE: The impact driver will not run unless the direction-of-rotation selector is engaged fully to the left or to the right.

Fig. 3

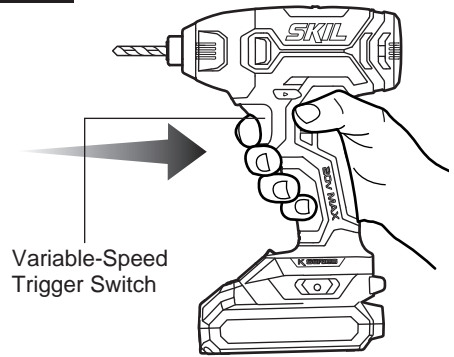


Variable-Speed Trigger Switch

Your tool is equipped with a variable-speed trigger switch. The tool can be turned "ON" or "OFF" by depressing or releasing the variable-speed trigger switch.

The variable-speed trigger switch delivers higher speed with increased trigger pressure and lower speed with decreased trigger pressure (Fig. 4).

Fig. 4



LED Light

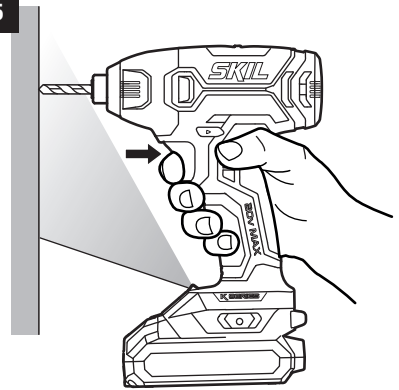
Your tool is equipped with an LED light, located on the base of the tool. This provides additional light on the surface of the work piece for operation in lower-light areas.

The LED light will automatically turn on with a slight squeeze on the variable-speed trigger switch before the tool starts running, and will turn off 8 to 12 seconds after the variable-speed trigger switch is released.

The LED light will rapidly flash when the tool and/or battery pack becomes overloaded or too hot, and the internal sensors will turn the tool off. Rest the tool for a while or place the tool and battery pack separately under air flow for to cool them.

The LED light will flash more slowly to indicate that the battery is at low-battery capacity. Recharge the battery pack.

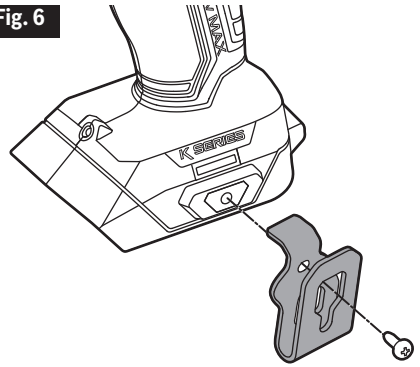
Fig. 5



Removable Belt Clip (Fig. 6)

Your tool is equipped with a removable belt clip that can be positioned on the left side of the tool for convenient transport.

Fig. 6



Install the belt clip onto the tool:

- Remove the battery pack from the tool.
- Align the rib of the belt clip with the threaded hole on the base of the tool.
- Insert the screw and securely tighten the screw with a screwdriver.

Remove the belt clip from the tool:

- Remove the battery pack from the tool.
- Use a screwdriver to loosen the screw that attaches the belt clip to the impact driver.
- Remove the screw and the belt clip.

Install and Remove Bits

Your tool is equipped with a quick-change collet, making bit installation and removal very easy.

Lock the variable-speed trigger switch "OFF" by placing the direction-of-rotation selector in the center position.

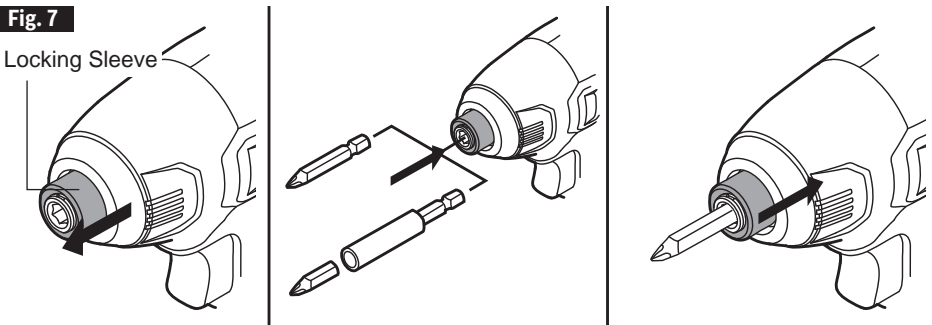
To install the bit:

Pull the locking sleeve forward, insert the bit as far as it will go into the collet, and release the locking sleeve to lock the bit. (Fig. 7)

To remove the bit:

Pull the locking sleeve forward. Pull the bit from the collet and release the sleeve.

Fig. 7



NOTICE: Use only bits with power grooves; other bits can be used with a universal bit holder that has power groove. Do not use bits that have a damaged shank.



WARNING

Use protective gloves when removing the bit from the tool, or first allow the bit to cool down. The bit may be hot after prolonged use.

Tighten and Loosen Nuts and Bolts

Variable-speed control must be used with caution for driving nuts and bolts with socket-set attachments. The best technique is to start slowly, increase speed as the nut or bolt runs down, and then set the nut or bolt snugly by slowing the tool to a stop. If this procedure is not followed, the tool will have a tendency to torque or twist in your hand when the nut or bolt seats.

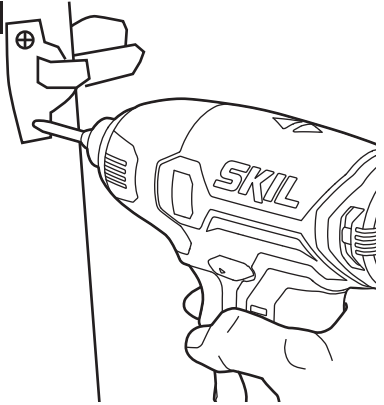
- a. Install a suitable bit.
- b. Apply just enough pressure to keep the bit engaged on the screw or nut.
- c. Apply minimal pressure to the variable-speed trigger switch initially. Increase the speed only when full control can be maintained.

NOTICE:

- a. Always use the correct type and size of bit for your application.
- b. When turning in a screw at/near the cross cut end or an edge of wood, pre-drill a hole in order to avoid cracking of the wood.
- c. When screw driving in hard wood, one should pre-drill a hole.

⚠ WARNING Do not over-tighten, as the force of the impact driver can break the fastener. Keep the impact driver at a right angle to the fastener to avoid damaging the fastener head.

Fig. 8



MAINTENANCE

⚠ WARNING To avoid serious personal injury, always remove the battery pack from the tool when cleaning or performing any maintenance.

Service

⚠ WARNING Preventive maintenance performed by unauthorized personnel may result in misplacing of internal wires and components which could cause serious hazard. We recommend that all tool service be performed by a SKIL Factory Service Center or Authorized SKIL Service Station.

General Maintenance

⚠ WARNING When servicing, use only identical replacement parts. Use of any other parts could create a hazard or cause product damage.

Periodically inspect the entire product for damaged, missing, or loose parts such as screws, nuts, bolts, caps, etc. Tighten securely all fasteners and caps and do not operate this product until all missing or damaged parts are replaced. Please contact customer service or an authorized service center for assistance.

Cleaning

⚠ WARNING The tool may be cleaned most effectively with compressed dry air. **Always wear safety goggles when cleaning tools with compressed air.**

Ventilation openings and switch selectors must be kept clean and free of foreign matter. Do not attempt to clean by inserting pointed objects through openings.

⚠ WARNING Certain cleaning agents and solvents damage plastic parts. Some of these are: gasoline, carbon tetrachloride, chlorinated cleaning solvents, ammonia and house hold detergents that contain ammonia.

Storage

Store the tool indoors in a place that is inaccessible to children. Keep it away from corrosive agents.

TROUBLE SHOOTING

Problem	Cause	Remedy
Tool does not work.	<ol style="list-style-type: none">1. Battery pack is depleted.2. Tool is over-loaded.3. Battery pack is over-temperature4. Battery pack is not installed properly.5. Burned out switch.	<ol style="list-style-type: none">1. Charge the battery.2. Release the variable-speed trigger switch and try again.3. Turn off the impact driver and cool the battery pack under air flow.4. Confirm that the battery is locked and secured to the tool.5. Have the switch replaced by an Authorized SKIL Service Center or Service Station.
Bit cannot be installed.	Bit does not fit the sleeve.	Use a suitable bit or adapter.

LIMITED WARRANTY OF SKIL CONSUMER TOOLS

5 YEAR LIMITED WARRANTY- LEGAL

Chervon North America, Inc. ("Seller") warrants to the original purchaser only, that all SKIL consumer TOOLS will be free from defects in material or workmanship for a period of five years from date of purchase, if original purchaser registers the product within 30 days from purchase. BATTERIES AND CHARGERS are warranted for 2 years. Product registration can be completed online at www.Registermyskil.com. Original purchasers should also retain their receipt as proof of purchase. THE FIVE-YEAR WARRANTY PERIOD FOR TOOLS IS CONDITIONED ON REGISTRATION OF THE PRODUCT WITHIN 30 DAYS OF PURCHASE. If original purchasers do not register their product timely, the foregoing limited warranty will apply for a duration of three years for tools. All batteries and chargers will remain under the two-year limited warranty.

Notwithstanding the foregoing, if a SKIL consumer tool is used for industrial, professional or commercial purposes, the foregoing warranty will apply for a duration of ninety days, regardless of registration.

SELLER'S SOLE OBLIGATION AND YOUR EXCLUSIVE REMEDY under this Limited Warranty and, to the extent permitted by law, any warranty or condition implied by law, shall be the repair or replacement of parts, without charge, which are defective in material or workmanship and which have not been misused, carelessly handled, or repaired by persons other than Seller or Authorized Service Station. To make a claim under this Limited Warranty, you must return the complete product, transportation prepaid, to any SKIL Factory Service Center or Authorized Service Station. For Authorized SKIL Power Tool Service Stations, please visit www.Registermyskil.com or call 1-877-SKIL-999 (1-877-754-5999).

THIS LIMITED WARRANTY DOES NOT APPLY TO ACCESSORY ITEMS SUCH AS CIRCULAR SAW BLADES, DRILL BITS, ROUTER BITS, JIGSAW BLADES, SANDING BELTS, GRINDING WHEELS AND OTHER RELATED ITEMS.

ANY IMPLIED WARRANTIES APPLICABLE TO A PRODUCT SHALL BE LIMITED IN DURATION EQUAL TO THE DURATION OF THE EXPRESS WARRANTIES APPLICABLE TO SUCH PRODUCT, AS SET FORTH IN THE FIRST PARAGRAPH ABOVE. SOME STATES IN THE U.S., SOME CANADIAN PROVINCES DO NOT ALLOW LIMITATIONS ON HOW LONG AN IMPLIED WARRANTY LASTS, SO THE ABOVE LIMITATION MAY NOT APPLY TO YOU.

IN NO EVENT SHALL SELLER BE LIABLE FOR ANY INCIDENTAL OR CONSEQUENTIAL DAMAGES (INCLUDING BUT NOT LIMITED TO LIABILITY FOR LOSS OF PROFITS) ARISING FROM THE SALE OR USE OF THIS PRODUCT. SOME STATES IN THE U.S. AND SOME CANADIAN PROVINCES DO NOT ALLOW THE EXCLUSION OR LIMITATION OF INCIDENTAL OR CONSEQUENTIAL DAMAGES, SO THE ABOVE LIMITATION OR EXCLUSION MAY NOT APPLY TO YOU.

THIS LIMITED WARRANTY GIVES YOU SPECIFIC LEGAL RIGHTS, AND YOU MAY ALSO HAVE OTHER RIGHTS WHICH VARY FROM STATE TO STATE IN THE U.S., PROVINCE TO PROVINCE IN CANADA AND FROM COUNTRY TO COUNTRY.

THIS LIMITED WARRANTY APPLIES ONLY TO PRODUCTS SOLD WITHIN THE UNITED STATES OF AMERICA, CANADA AND THE COMMONWEALTH OF PUERTO RICO. FOR WARRANTY COVERAGE WITHIN OTHER COUNTRIES, CONTACT YOUR LOCAL SKIL DEALER OR IMPORTER.

© Chervon North America, 1203 E. Warrenville Rd, Naperville, IL 60563.

08/18

TABLE DES MATIÈRES

Avertissements de sécurité généraux relatifs aux outils électriques	19-21
Avertissements de sécurité pour la clé à chocs	21
Symboles	22-25
Apprenez à connaître votre clé à chocs	26
Caractéristiques techniques	26
Mode d'emploi	27-31
Entretien	32
Dépannage	33
Garantie limitée de l'outil sans fil SKIL	34-35

AVERTISSEMENT

- La poussière créée pendant le ponçage, le sciage, le polissage, le perçage et d'autres activités liées à la construction peut contenir des produits chimiques reconnus par l'État de la Californie comme étant la cause de cancers, d'anomalies congénitales et d'autres problèmes liés aux fonctions reproductrices. Voici des exemples de ces produits chimiques :
 - Plomb provenant de peintures à base de plomb.
 - Silice cristalline provenant de la brique, du ciment ou d'autres matériaux de maçonnerie.
 - Arsenic et chrome contenus dans le bois d'œuvre traité avec des produits chimiques.
- Les risques liés à l'exposition à ces produits varient selon le nombre de fois où vous pratiquez ces activités. Pour réduire votre exposition à ces produits chimiques :
 - Travaillez dans un endroit bien ventilé.
 - Munissez-vous de l'équipement de sécurité approuvé tel que des masques antipoussières conçus spécialement pour filtrer les particules microscopiques.
 - Évitez l'exposition prolongée à la poussière causée par le ponçage mécanique, le sciage, le polissage, le perçage et d'autres activités liées à la construction. Portez un équipement de protection et lavez à l'eau et au savon toutes les parties exposées. Les poussières pénétrant dans votre bouche ou dans vos yeux et les poussières se déposant sur votre peau peuvent causer l'absorption de produits chimiques dangereux.

AVERTISSEMENTS DE SÉCURITÉ GÉNÉRAUX RELATIFS AUX OUTILS ÉLECTRIQUES

⚠ AVERTISSEMENT Lisez tous les avertissements et toutes les instructions, illustrations et spécifications fournis avec cet outil électrique. Le non-respect des consignes de sécurité ci-dessous peut occasionner un choc électrique, un incendie ou des blessures graves.

CONSERVEZ TOUS LES AVERTISSEMENTS ET TOUTES LES INSTRUCTIONS AFIN DE POUVOIR LES CONSULTER RÉFÉRER ULTÉRIEUREMENT.

L'expression « outil électrique » utilisée dans les avertissements correspond aux outils électriques alimentés sur secteur (à fil) ou alimentés par piles (sans fil).

Mesures de sécurité dans l'aire de travail

Maintenez l'aire de travail propre et bien éclairée. Les aires de travail sombres et encombrées sont propices aux accidents.

N'utilisez pas d'outils électriques dans un endroit présentant un risque d'explosion, par exemple en présence de liquides, de gaz ou de poussières inflammables. Les outils électriques produisent des étincelles pouvant causer un incendie en raison de la poussière et des fumées.

Gardez les enfants et les autres personnes à l'écart lorsque vous utilisez un outil électrique. Une distraction peut vous faire perdre la maîtrise de l'outil.

Consignes de sécurité relatives à l'électricité

Les fiches des outils électriques doivent correspondre à la prise. Ne modifiez jamais la fiche de quelque façon que ce soit. N'utilisez pas d'adaptateur avec les outils électriques mis à la terre. L'utilisation de fiches non modifiées dans les prises compatibles réduit les risques de choc électrique.

Évitez de toucher à des surfaces mises à la terre, par exemple, un tuyau, un radiateur, une cuisinière ou un réfrigérateur. Le contact du corps avec une surface mise à la terre augmente les risques de choc électrique.

N'exposez pas les outils électriques à la pluie ni à tout environnement humide. L'infiltration d'eau dans un outil électrique augmente les risques de décharge électrique.

N'utilisez pas le cordon d'alimentation de façon à l'endommager. Ne transportez jamais un outil électrique en le tenant par son cordon, et ne tirez jamais sur le cordon pour le débrancher. Tenez le cordon d'alimentation éloigné des sources de chaleur, de l'huile, des objets coupants et des pièces mobiles. Les risques de choc électrique sont plus élevés si le cordon d'alimentation est endommagé ou emmêlé.

Lorsque vous utilisez un outil électrique à l'extérieur, utilisez une rallonge conçue pour être utilisée à l'extérieur. Ce type de rallonge réduit les risques de choc électrique.

Si vous n'avez d'autre choix que d'utiliser un outil électrique dans un endroit humide, utilisez une alimentation protégée par un disjoncteur différentiel. L'utilisation d'un disjoncteur différentiel réduit les risques de choc électrique.

Sécurité personnelle

Soyez vigilant, prêtez attention à ce que vous faites et usez de votre jugement lorsque vous utilisez un outil électrique. N'utilisez pas un outil électrique lorsque vous êtes fatigué ou sous l'effet de drogues, d'alcool ou de médicaments. Un moment d'inattention lorsque vous utilisez des outils électriques peut occasionner des blessures graves.

Utilisez un équipement de protection. Portez toujours des lunettes de sécurité. Le port d'un équipement de protection (comme un masque antipoussières, des chaussures de protection antidérapantes, un casque de sécurité ou un dispositif de protection auriculaire), lorsque les conditions l'exigent, réduit les risques de blessures.

Prenez des mesures afin d'éviter que l'outil se mette en marche accidentellement. Veillez à ce que l'interrupteur soit en position d'arrêt avant de connecter le produit au courant ou au bloc-piles, de le ramasser ou de le transporter. Transporter les outils électriques avec le doigt sur la gâchette ou brancher les outils lorsque l'interrupteur est à la position de marche augmente les risques d'accident.

Enlevez toute clé de serrage ou clé à molette avant de mettre l'outil électrique en marche. Une clé de réglage oubliée sur une pièce rotative de l'outil électrique peut occasionner des blessures graves.

Ne tendez pas les bras trop loin. Gardez une posture sécuritaire et un bon équilibre en tout temps. Cela vous permet de mieux maîtriser l'outil électrique lorsque des situations inattendues se présentent.

Habillez-vous convenablement. Ne portez pas de vêtements amples ni de bijoux. Gardez vos cheveux, vos vêtements et vos gants loin des pièces mobiles. Les vêtements amples, les bijoux ou les cheveux longs risquent de se prendre dans les pièces mobiles.

Si des dispositifs sont fournis pour le branchement d'équipement de dépoussiérage et de collecte de la poussière, veillez à ce qu'ils soient branchés et utilisés de manière appropriée. L'emploi d'un dépoussiéreur contribue à réduire les dangers liés à la poussière.

Même si vous connaissez parfaitement ces outils parce que vous les utilisez souvent, soyez vigilant et respectez les principes de sécurité. Il suffit d'être négligent une fraction de seconde pour se blesser gravement.

Utilisation et entretien d'un outil électrique

Ne forcez pas l'outil électrique. Utilisez l'outil électrique approprié à la tâche que vous souhaitez accomplir. L'outil électrique adéquat vous permettra de mieux accomplir le travail avec plus de sécurité et au rythme pour lequel il a été conçu.

N'utilisez pas l'outil électrique si l'interrupteur ne permet pas de le mettre en marche et de l'arrêter. Tout outil électrique qui ne peut être commandé au moyen de l'interrupteur est dangereux et doit être réparé.

Débranchez la fiche de la source d'alimentation ou retirez, si possible, le bloc-piles de l'outil électrique avant de le ranger ou de procéder à un ajustement ou à un changement d'accessoire. Ces mesures de sécurité préventives réduisent les risques de mettre accidentellement l'outil électrique en marche.

Rangez l'outil électrique à l'arrêt hors de la portée des enfants et n'autorisez pas une personne ne sachant pas s'en servir ou n'ayant pas lu ces instructions à l'utiliser. Les outils électriques sont dangereux s'ils se retrouvent entre les mains d'utilisateurs qui ne savent pas s'en servir.

Entretenez les outils électriques et les accessoires. Vérifiez les pièces mobiles pour vous assurer qu'elles ne sont pas désalignées, enrayées, brisées, ou dans un état qui pourrait nuire à leur fonctionnement. Si l'outil électrique est endommagé, faites-le réparer avant de l'utiliser. De nombreux accidents sont provoqués par des outils électriques mal entretenus.

Gardez vos outils tranchants affûtés et propres. Des outils de découpe aux lames affûtées risquent moins de s'accrocher et sont plus faciles à contrôler.

Utilisez l'outil électrique, les accessoires, les mèches, etc. conformément à ces instructions, en tenant compte des conditions de travail et de la tâche à accomplir. L'utilisation de l'outil électrique à des fins autres que celles pour lesquelles il a été conçu pourrait créer une situation dangereuse.

Les poignées et autres surfaces de préhension doivent toujours être sèches, propres et exemptes d'huile ou de graisse.

Les poignées et autres surfaces de préhension glissantes ne permettent pas de manipuler et de contrôler l'outil de façon sécuritaire en cas de situations inattendues.

Utilisation et entretien d'un outil alimenté par un bloc-piles

Rechargez uniquement le bloc-piles au moyen du chargeur approuvé par le fabricant.

Un chargeur conçu pour un type de bloc-piles peut causer un incendie s'il est utilisé avec un autre bloc-piles.

Utilisez les outils électriques uniquement avec les blocs-piles désignés. L'utilisation de tout autre bloc-piles peut constituer un risque de blessure et d'incendie.

Lorsque vous n'utilisez pas le bloc-piles, conservez-le à l'écart d'autres objets métalliques, comme des trombones, des pièces de monnaie, des clés, des clous, des vis et d'autres petits objets métalliques qui peuvent connecter une borne à une autre. Un court-circuit entre les bornes du bloc-piles peut occasionner des brûlures et un incendie.

En cas d'usage abusif, du liquide peut s'échapper des piles; évitez tout contact avec celui-ci. En cas de contact accidentel, rincez à grande eau. Si vos yeux entrent en contact avec ce liquide, consultez un médecin. Le liquide provenant des piles peut causer de l'irritation ou des brûlures.

N'utilisez pas un bloc-piles ou un outil endommagé ou modifié. Les blocs-piles modifiés ou endommagés peuvent fonctionner de façon imprévisible et représenter un risque d'incendie, d'explosion ou de blessures.

N'exposez pas un bloc-piles ou un outil à un feu ou à une température excessive.

L'exposition au feu ou à une température supérieure à 129,4 °C peut provoquer une explosion.

Suivez toutes les instructions pour le chargement et ne chargez pas le bloc-piles ou l'appareil en dehors de la plage de température spécifiée dans les instructions. Une recharge inadéquate ou effectuée à des températures en dehors de la plage spécifiée peut endommager le bloc-piles et augmenter le risque d'incendie.

Entretien

Demandez à un technicien qualifié qui utilise seulement des pièces de rechange identiques aux pièces d'origine d'effectuer l'entretien de votre outil électrique. Vous vous assurerez ainsi de respecter les consignes de sécurité de l'outil électrique.

Ne réparez jamais un bloc-piles endommagé. Seuls le fabricant et les fournisseurs de services autorisés peuvent effectuer la réparation d'un bloc-piles.

AVERTISSEMENTS DE SÉCURITÉ RELATIFS AU TOURNEVIS





Tenez l'outil électrique par sa poignée isolée lorsque la fixation est susceptible d'entrer en contact avec des fils dissimulés. Lorsque les pièces de fixation entrent en contact avec un fil sous tension, les parties métalliques exposées de l'outil électrique peuvent donner un choc électrique à l'utilisateur.

SYMBOLES

Symboles de sécurité

L'objectif des symboles de sécurité est d'attirer votre attention sur les dangers potentiels. Vous devez examiner attentivement et bien comprendre les symboles de sécurité et les explications qui les accompagnent. Les symboles d'avertissement en tant que tels n'éliminent pas le danger. Les consignes et les avertissements qui y sont associés ne remplacent en aucun cas des mesures préventives adéquates.

⚠ AVERTISSEMENT Assurez-vous de lire et de comprendre toutes les consignes de sécurité présentées dans le présent guide d'utilisation, notamment tous les symboles d'alerte de sécurité indiqués par « **DANGER** », « **AVERTISSEMENT** » et « **MISE EN GARDE** », avant d'utiliser cet outil. Le non-respect des consignes qui suivent peut entraîner un choc électrique, un incendie ou des blessures graves.

Les définitions ci-dessous décrivent le degré de gravité pour chaque mot-indicateur. Veuillez lire ce guide et prêter attention à ces symboles.	
	Voici le pictogramme d'alerte de sécurité. Il sert à vous indiquer les risques potentiels de blessures. Respectez toutes les consignes de sécurité associées à ce pictogramme pour éviter les risques de blessures ou de mort.
	DANGER indique un danger imminent qui, s'il n'est pas évité, causera des blessures graves ou la mort.
	AVERTISSEMENT indique un risque pouvant entraîner des blessures graves ou la mort s'il n'est pas prévenu.
	ATTENTION, utilisée avec le symbole d'alerte de sécurité, indique un risque potentiel qui, s'il n'est pas éliminé, provoquera des blessures mineures ou moyennement graves.

Messages d'information et de prévention des dommages

Ces messages fournissent à l'utilisateur de l'information et des consignes importantes. Les ignorer pourrait occasionner des dommages à l'équipement ou d'autres dommages matériels. Le mot « AVERTISSEMENT » précède chaque message, comme dans l'exemple ci-dessous :








AVIS : Ne pas suivre ces consignes pourrait occasionner des dommages à l'équipement ou d'autres dommages matériels.







⚠ AVERTISSEMENT L'utilisation de tout outil électrique peut entraîner la projection de corps étrangers dans les yeux et ainsi causer des lésions oculaires graves. Avant d'utiliser un outil électrique, veillez à toujours porter des lunettes de sécurité couvrantes ou à écrans latéraux, ou un masque complet au besoin. Nous recommandons le port d'un masque de sécurité panoramique par-dessus les lunettes ou de lunettes de sécurité standard avec écrans latéraux. Portez toujours des protecteurs oculaires conformes à la norme ANSI Z87.1.

SYMBOLES (SUITE)



IMPORTANT : Les symboles suivants peuvent figurer sur votre outil. Familiarisez-vous avec eux et apprenez leur signification. En comprenant ces symboles, vous serez en mesure de faire fonctionner cet outil de façon adéquate et sécuritaire.

Symbole	Nom	Forme au long et explication
V	Volts	Tension (possible)
A	Ampère	Courant
Hz	Hertz	Fréquence (cycles par seconde)
W	Watt	Puissance
kg	Kilogrammes	Poids
min	Minutes	Durée
s	Secondes	Durée
Wh	Watheures	Capacité de la pile
Ah	Ampères-heures	Capacité de la pile
∅	Diamètre	Taille des forets, des meules, etc.
n_0	Vitesse à vide	Vitesse de rotation à vide
n	Vitesse nominale	Vitesse maximale atteignable
.../min	Tours ou va-et-vient par minute	Tours, coups, vitesse périphérique, orbites, etc., par minute
0	Position d'arrêt	Vitesse nulle, couple nul...
1,2,3,... I,II,III,	Réglages du sélecteur	Réglages de vitesse, de couple ou de position. Plus le nombre est élevé, plus la vitesse est grande.
	Sélecteur à réglable continu avec mode d'arrêt	La vitesse augmente à partir du réglage 0
	Flèche	L'activation se fait dans le sens de la flèche
	Courant alternatif	Type de courant ou caractéristique de courant
	Courant continu	Type de courant ou caractéristique de courant
	Courant alternatif ou continu	Type de courant ou caractéristique de courant
	Appareil de classe II	Désigne les outils de construction à double isolation
	Borne de mise à la terre	Borne de mise à la terre

Symbole	Nom	Forme au long et explication
	Sceau du programme de recyclage des piles au lithium-ion	Désigne le programme de recyclage des piles au lithium-ion
	Sceau du programme de recyclage des piles au nickel-cadmium	Désigne le programme de recyclage des piles au nickel-cadmium
	Symbole de lecture du manuel	Invite l'utilisateur à lire le manuel
	Symbole du port de lunettes de sécurité	Lorsque vous utilisez cet appareil, portez toujours des lunettes de protection ou de sécurité à écrans latéraux et un masque de protection complet.

SYMBOLES (RENSEIGNEMENTS EN MATIÈRE D'HOMOLOGATION)

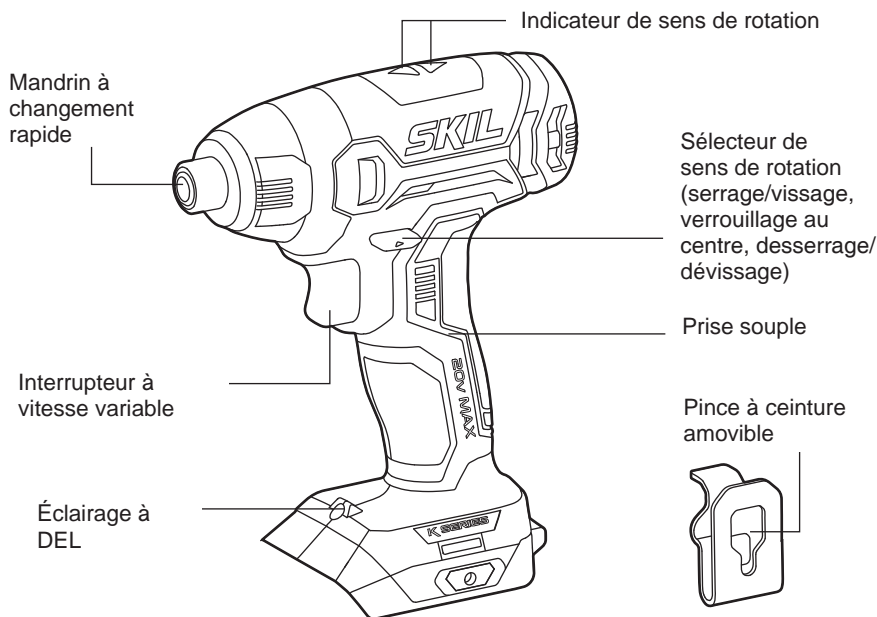
IMPORTANT : Certains des symboles suivants, qui fournissent des renseignements en matière d'homologation, peuvent figurer sur l'outil. Familiarisez-vous avec eux et apprenez leur signification. En comprenant ces symboles, vous serez en mesure de faire fonctionner cet outil de façon adéquate et sécuritaire.

	<p>Ce symbole indique que cet outil est répertorié par Underwriters Laboratories.</p>
	<p>Ce symbole indique que cet outil est reconnu par Underwriters Laboratories.</p>
	<p>Ce symbole indique que cet outil est répertorié par Underwriters Laboratories et qu'il est conforme aux normes américaines et canadiennes.</p>
	<p>Ce symbole indique que cet outil est répertorié par l'Association canadienne de normalisation.</p>
	<p>Ce symbole indique que cet outil est répertorié par l'Association canadienne de normalisation et qu'il est conforme aux normes américaines et canadiennes.</p>
	<p>Ce symbole indique que cet outil est répertorié par Intertek Testing et qu'il est conforme aux normes américaines et canadiennes.</p>
	<p>Ce symbole indique que cet outil est conforme aux normes mexicaines officielles (NOM).</p>

APPRENEZ À CONNAÎTRE VOTRE OUTIL

Clé à chocs hexagonale de 1/4 po et de 20 V

Fig. 1



CARACTÉRISTIQUES TECHNIQUES

Tension nominale	20 V c.c.
Taille du mandrin	Hexagonal de 1/4 po (embouts à rainures pour clé à chocs électrique seulement)
Vitesse à vide	De 0 à 2500 tr/min
Température de fonctionnement recommandée :	de -10 à 40 °C (de 14 à 104 °F)
Température de rangement recommandée :	de 0 °C à 40 °C (de 32 °F à 104 °F)

MODE D'EMPLOI

⚠ AVERTISSEMENT Pour réduire les risques d'incendie, de blessures corporelles et de détérioration de l'outil découlant d'un court-circuit, ne plongez jamais l'outil, le bloc-piles ou le chargeur dans un liquide et ne laissez aucun liquide s'écouler sur ceux-ci. Les liquides corrosifs ou conducteurs, tels que l'eau de mer, certains produits chimiques industriels, l'eau de javel, des produits contenant de l'eau de Javel, etc., peuvent provoquer un court-circuit.

⚠ AVERTISSEMENT S'il y a des pièces manquantes ou endommagées, ne tentez pas d'utiliser la scie à chaîne tant que ces pièces n'auront pas été remplacées. L'utilisation de ce produit avec des pièces endommagées ou manquantes peut causer des blessures graves.

⚠ AVERTISSEMENT Ne tentez pas de modifier cette perceuse-visseuse ou de créer des accessoires qui ne sont pas recommandés pour cette dernière. Toute altération ou modification de ce type constitue un usage inapproprié et peut engendrer une situation dangereuse susceptible de causer des blessures graves.

⚠ AVERTISSEMENT Pour empêcher une mise en marche accidentelle pouvant causer des blessures graves, retirez toujours le bloc-piles de la perceuse-visseuse avant d'assembler des pièces.

Utilisez cet outil sans fil uniquement avec les blocs-piles et les chargeurs indiqués ci-dessous :

Bloc-piles			Chargeur
2Ah	4Ah	5Ah	
SKIL BY519701	SKIL BY519601	SKIL BY519603	SKIL SC535801

AVIS : Veuillez consulter le manuel relatif aux blocs-piles et aux chargeurs pour plus de détails au sujet du fonctionnement de l'outil.

Fixation et retrait du bloc-piles (Fig. 2)

Verrouillez l'interrupteur de l'outil à la position « OFF » (arrêt) en plaçant le sélecteur de sens de rotation (serrage/vissage, verrouillage au centre, desserrage/dévisage) à la position centrale avant de fixer ou de retirer le bloc-piles.

Fixation du bloc-piles :

Alignez les nervures du bloc-piles sur les rainures de l'outil, puis faites glisser le bloc-piles sur l'outil.

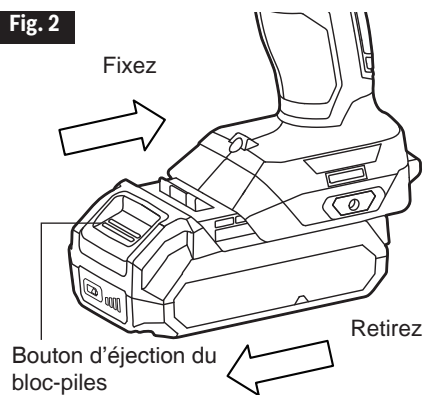
Retrait du bloc-piles :

Appuyez sur le bouton d'éjection situé à l'avant du bloc-piles pour dégager le bloc-piles. Tirez sur le bloc-piles et retirez-le de l'outil.

AVIS : Lorsque vous insérez le bloc-piles dans l'outil, assurez-vous que les nervures du bloc-piles sont alignées sur les rainures de l'outil et que le verrou s'enclenche correctement. Une mauvaise installation du bloc-piles peut endommager des composants internes.

⚠ AVERTISSEMENT Les outils à pile sont toujours en état de fonctionnement. Par conséquent, le sélecteur de sens de rotation (serrage/vissage, verrouillage au centre, desserrage/dévisage) devrait toujours être verrouillé à la position centrale lorsque vous n'utilisez pas l'outil ou que vous le transportez à vos côtés.

Fig. 2



Sélecteur de sens de rotation (serrage/vissage, verrouillage au centre, desserrage/dévisage)

⚠ AVERTISSEMENT Lorsque vous avez terminé d'utiliser l'outil, placez le sélecteur de sens de rotation à la position « OFF » (arrêt), c'est-à-dire à la position de verrouillage au centre, pour aider à empêcher une mise en marche accidentelle pouvant causer des blessures graves.

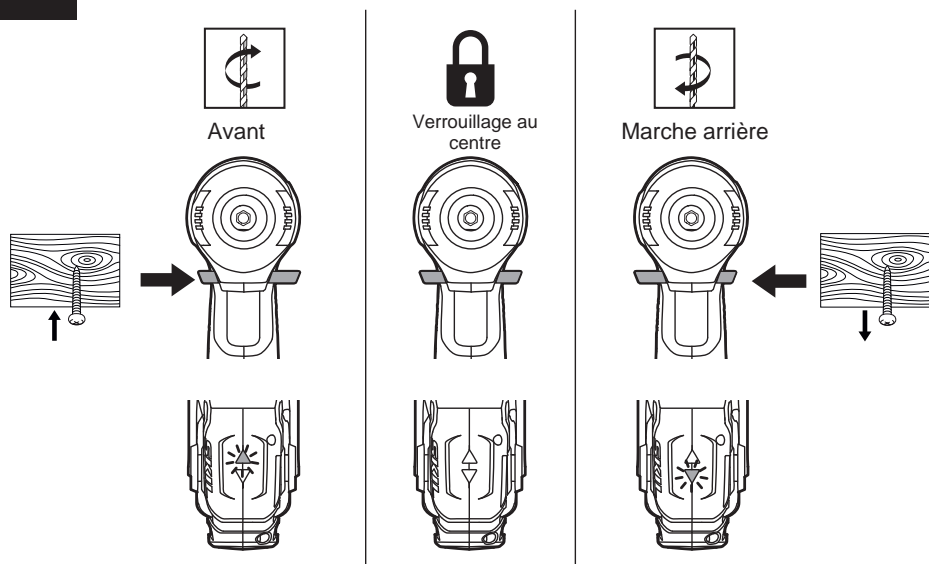
L'outil est muni d'un sélecteur de sens de rotation situé au-dessus de l'interrupteur à vitesse variable. Ce sélecteur permet de changer le sens de rotation de l'embout et de verrouiller l'interrupteur à vitesse variable à la position « OFF » (arrêt), c'est-à-dire à la position de verrouillage au centre (fig. 3).

- Placez le sélecteur de sens de rotation à droite de l'outil pour une rotation de serrage/vissage.
- Placez le sélecteur de sens de rotation à gauche de l'outil pour une rotation de desserrage/dévisage.
- Placez l'interrupteur à la position « OFF » (arrêt) (verrouillage au centre) pour réduire les risques d'une mise en marche accidentelle lorsque l'outil n'est pas utilisé.

AVIS : Pour éviter d'endommager l'engrenage, attendez toujours l'arrêt complet de la clé à chocs avant de modifier le sens de rotation.

AVIS : La clé à chocs ne fonctionnera pas tant que le sélecteur de sens de rotation ne sera pas entièrement enclenché vers la gauche ou la droite.

Fig. 3

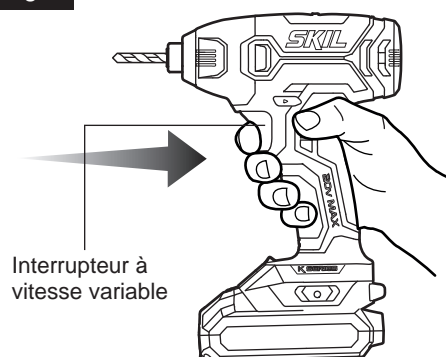


Variable-Speed Trigger Switch

L'outil est muni d'un interrupteur à vitesse variable. L'outil peut être allumé ou éteint en appuyant sur la gâchette ou en la relâchant.

La vitesse de l'outil dépend de la pression exercée sur l'interrupteur à vitesse variable. Si vous augmentez la pression, la vitesse augmente, et si vous la réduisez, la vitesse diminue (fig. 4).

Fig. 4



Voyant à DEL

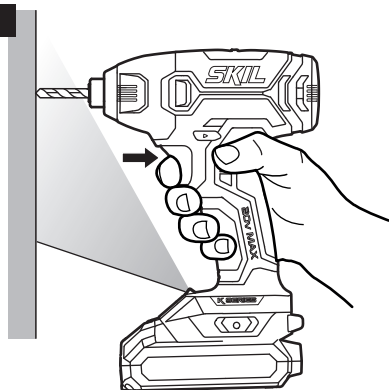
L'outil est muni d'une lampe à DEL située sur la base de celui-ci. Ces lampes offrent un éclairage supplémentaire de la surface de travail dans les zones moins éclairées.

La lampe à DEL s'allume automatiquement à l'aide d'une légère pression sur l'interrupteur à vitesse variable avant le démarrage de l'outil, et s'éteint de 8 à 12 secondes après que vous avez relâché l'interrupteur à vitesse variable.

Lorsque l'outil ou le bloc-piles sont surchargés ou trop chauds, la lampe à DEL clignote rapidement et les capteurs internes éteignent l'outil. Laissez l'outil refroidir pendant un moment ou placez l'outil et le bloc-piles, que vous aurez préalablement retiré, près d'un courant d'air pour qu'ils refroidissent.

Si la capacité du bloc-piles est faible, la lampe à DEL clignote lentement. Rechargez le bloc-piles.

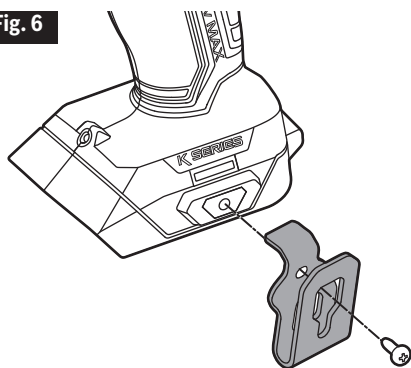
Fig. 5



Pince à ceinture amovible (figure 6)

L'outil est muni d'une pince à ceinture amovible pouvant être placée sur côté gauche de l'outil afin de faciliter le transport de celui-ci.

Fig. 6



Installation de la pince à ceinture sur l'outil :

- Retirez le bloc-piles de l'outil.
- Alignez la languette de la pince à ceinture sur le trou fileté situé à la base de l'outil.
- Insérez la vis et serrez-la fermement à l'aide d'un tournevis.

Retrait de la pince à ceinture de l'outil :

- Retirez le bloc-piles de l'outil.
- Utilisez un tournevis pour desserrer la vis qui relie la pince à ceinture à la clé à chocs.
- Retirez la vis et la pince à ceinture.

Installation et retrait des embouts

L'outil est muni d'un mandrin à changement rapide qui facilite grandement l'installation et le retrait des embouts.

Verrouillez l'interrupteur à vitesse variable à la position « OFF » (arrêt) en plaçant le sélecteur de sens de rotation à la position centrale.

Installation d'une mèche :

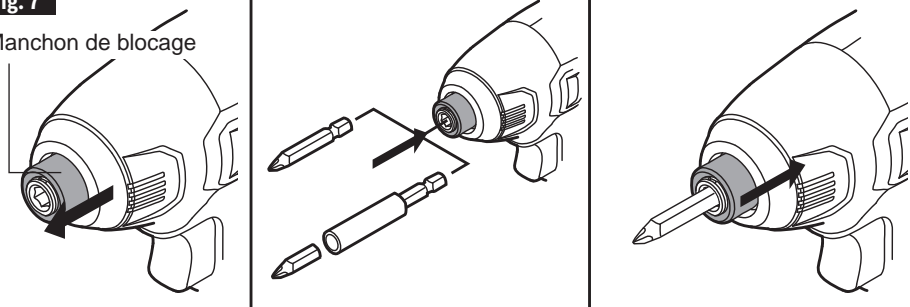
Tirez le manchon de blocage vers l'avant, insérez l'embout le plus loin possible dans le mandrin, puis relâchez le manchon afin de verrouiller l'embout en place. (Figure 7)

Retrait d'une mèche :

Tirez le manchon de blocage vers l'avant. Retirez l'embout du mandrin, puis relâchez le manchon.

Fig. 7

Manchon de blocage



AVIS : Utilisez seulement des embouts à rainures pour outil électrique. D'autres embouts peuvent être utilisés avec un porte-embout universel à rainures pour outil électrique. N'utilisez pas d'embouts dont la tige est endommagée.

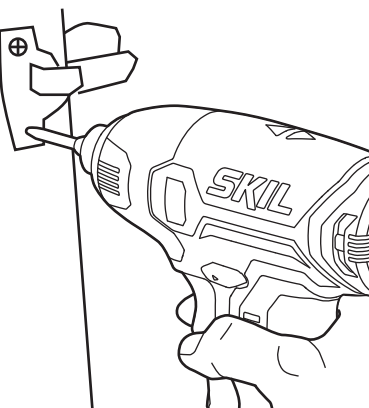
⚠ AVERTISSEMENT Portez des gants protecteurs lorsque vous retirez l'embout de l'outil ou laissez l'embout refroidir avant de le retirer.

L'embout peut devenir chaud après une utilisation prolongée.

Serrage et desserrage d'écrous et de boulons

Utilisez la commande à vitesse variable prudemment lorsque vous serrez des écrous et des boulons à l'aide d'un ensemble de douilles. La façon de faire idéale consiste à démarrer lentement et à augmenter la vitesse à mesure que l'écrou ou le boulon est vissé, puis à bien serrer l'écrou ou le boulon en ralentissant la vitesse, jusqu'à l'arrêt de l'outil. Si vous ne respectez pas cette procédure, l'outil aura tendance à tourner dans vos mains une fois que l'écrou ou le boulon est en place.

Fig. 8



- a. Installez un embout approprié.
- b. Appliquez juste assez de pression pour maintenir l'embout en place contre la vis ou l'écrou.
- c. Exercez d'abord une pression minimale sur l'interrupteur à vitesse variable. Augmentez la vitesse uniquement lorsque vous pouvez assurer la pleine maîtrise de l'outil.

AVIS :

- a. Utilisez toujours un embout de taille et de type qui convient à la tâche que vous souhaitez accomplir.
- b. Lorsque vous insérez une vis près d'une extrémité coupée transversalement ou d'un bord d'un morceau de bois, percez un avant-trou afin d'éviter que le morceau de bois craque.
- c. Percez un avant-trou lorsque vous vissez dans du bois franc.

⚠ AVERTISSEMENT Évitez de serrer excessivement, car la clé à chocs pourrait briser la fixation. Gardez la clé à chocs à un angle adéquat par rapport à la fixation afin d'éviter d'endommager la tête de celle-ci.

ENTRETIEN

⚠ AVERTISSEMENT Before performing maintenance or cleaning, always lock the direction-of-rotation selector in the “OFF” position (center-lock) to help prevent accidental starting.

Entretien

⚠ AVERTISSEMENT Un entretien préventif effectué par du personnel non autorisé peut entraîner un mauvais positionnement des fils et des composants internes, ce qui peut représenter un grave danger. Tout entretien d'outil devrait être effectué dans un centre de service de l'usine de SKIL ou un centre de service autorisé de SKIL.

Entretien général

⚠ AVERTISSEMENT Lorsque vous procédez à l'entretien de la scie à chaîne, utilisez uniquement des pièces de remplacement identiques à celles d'origine. L'utilisation de toute autre pièce peut constituer un danger ou endommager l'article.

Inspectez périodiquement l'intégralité du produit pour y déceler des pièces endommagées, manquantes ou lâches telles que les vis, les écrous, les boulons, les capuchons, etc. Resserrez fermement toutes les fixations et tous les capuchons et ne faites pas fonctionner ce produit tant que toutes les pièces manquantes ou endommagées n'ont pas été remplacées. Veuillez communiquer avec le service à la clientèle ou avec un centre de service autorisé pour obtenir de l'aide.

Nettoyage

⚠ AVERTISSEMENT L'utilisation d'air sec comprimé est la meilleure technique de nettoyage. Portez toujours des lunettes de sécurité lorsque vous nettoyez des outils avec de l'air comprimé. Les orifices de ventilation et les leviers d'interrupteur doivent être propres et exempts de toute substance étrangère. Ne tentez pas de nettoyer l'outil en insérant des objets pointus dans les ouvertures.

⚠ AVERTISSEMENT Certains agents nettoyants et solvants endommagent les pièces en plastique. Notamment : l'essence, le tétrachlorure de carbone, les solvants nettoyants chlorés, l'ammoniac et les détergents ménagers qui contiennent de l'ammoniac.

Rangement

Rangez l'outil à l'intérieur dans un endroit inaccessible aux enfants. Rangez-le à l'écart des agents corrosifs.

DÉPANNAGE

Problème	Cause	Solutions
L'outil ne fonctionne pas.	<ol style="list-style-type: none">1. Le bloc-piles est déchargé.2. L'outil est surchargé.3. Le bloc-piles a surchauffé.4. Le bloc-piles n'est pas installé correctement.5. L'interrupteur est brûlé.	<ol style="list-style-type: none">1. Chargez le bloc-piles.2. Relâchez l'interrupteur à vitesse variable et réessayez.3. Éteignez la clé à chocs et laissez le bloc-piles refroidir près d'un courant d'air.4. Assurez-vous que le bloc-piles est bien fixé à l'outil et bien verrouillé.5. Faites remplacer l'interrupteur dans un Centre de service autorisé par SKIL.
Il est impossible d'installer l'embout.	Le mors ne rentre pas dans la manche	Utilisez un embout ou un adaptateur approprié.

GARANTIE LIMITÉE DE L'OUTIL SKIL

GARANTIE LIMITÉE DE 5 ANS

Chervon North America, Inc. (le « vendeur ») garantit à l'acheteur initial seulement que tous les OUTILS SKIL destinés à un usage résidentiel seront exempts de défauts de matériaux ou de fabrication pour une période de cinq ans à compter de la date d'achat si l'acheteur initial enregistre l'article dans les 30 jours suivant la date d'achat. LES PILES ET LES CHARGEURS sont garantis pour une période de 2 ans. L'enregistrement de l'article peut être effectué en ligne au www.Registtermyskil.com. De plus, nous recommandons aux acheteurs initiaux de conserver leur reçu comme preuve d'achat. LA PÉRIODE DE GARANTIE DE CINQ ANS SUR LES OUTILS EST CONDITIONNELLE À L'ENREGISTREMENT DE L'ARTICLE DANS LES 30 JOURS SUIVANT LA DATE D'ACHAT. Si les acheteurs initiaux n'enregistrent pas leur article dans le délai prévu, la garantie limitée sur les outils électriques susmentionnée ne s'appliquera que pour une période de trois ans. Toutes les piles et tous les chargeurs demeureront couverts par la garantie limitée de deux ans.

Nonobstant les dispositions précédentes, si un outil SKIL destiné à un usage résidentiel est utilisé à des fins industrielles, professionnelles ou commerciales, la garantie susmentionnée ne s'appliquera que pour une période de quatre-vingt-dix (90) jours, que l'article ait été enregistré ou non.

LA SEULE OBLIGATION DU VENDEUR ET VOTRE RECOURS EXCLUSIF au titre de cette garantie limitée et, dans les limites permises par la loi, de toute garantie ou condition prévue par la loi, est la réparation ou le remplacement, sans frais, des pièces qui présentent un défaut matériel ou de fabrication, qui n'ont pas fait l'objet d'un usage abusif ou inapproprié et qui n'ont pas été réparées par des personnes autres que le vendeur ou un technicien d'un centre de service autorisé. Pour effectuer une réclamation au titre de la présente garantie limitée, vous devez retourner, port payé, l'article en entier à un centre de service de l'usine de SKIL ou à un centre de service autorisé. Pour communiquer avec un centre de service autorisé de SKIL Power Tools, veuillez visiter le www.Registtermyskil.com ou composer le 1 877 SKIL-999 (1 877 754-5999).

CETTE GARANTIE LIMITÉE NE S'APPLIQUE PAS AUX ACCESSOIRES TELS QUE LES LAMES DE SCIE CIRCULAIRE, LES FORETS, LES FRAISES À TOUPIE, LES LAMES DE SCIE SAUTEUSE, LES COURROIES DE PONÇAGE, LES MEULES ET LES AUTRES ACCESSOIRES CONNEXES.

TOUTE GARANTIE IMPLICITE APPLICABLE À UN ARTICLE EST LIMITÉE À UNE DURÉE ÉGALE À LA DURÉE DES GARANTIES EXPRESSES APPLICABLES À UN TEL ARTICLE, COMME IL EST INDIQUÉ AU PREMIER PARAGRAPHE DE CETTE GARANTIE. CERTAINS ÉTATS DES ÉTATS-UNIS ET CERTAINES PROVINCES DU CANADA NE PERMETTENT PAS DE LIMITATIONS QUANT À LA DURÉE DES GARANTIES IMPLICITES, DE SORTE QUE LES LIMITATIONS INDIQUÉES CI-DESSUS PEUVENT NE PAS S'APPLIQUER À VOUS.

LE VENDEUR NE SERA EN AUCUN CAS TENU RESPONSABLE DES DOMMAGES ACCESSOIRES OU CONSÉCUTIFS (Y COMPRIS, SANS TOUTEFOIS S'Y LIMITER, DES PERTES DE PROFIT) RÉSULTANT DE LA VENTE OU DE L'USAGE DE CET ARTICLE. CERTAINS ÉTATS DES ÉTATS-UNIS ET CERTAINES PROVINCES DU CANADA NE PERMETTENT PAS L'EXCLUSION OU LA LIMITATION DES DOMMAGES ACCESSOIRES OU CONSÉCUTIFS, DE SORTE QUE LA LIMITATION OU L'EXCLUSION SUSMENTIONNÉE POURRAIT NE PAS S'APPLIQUER À VOUS.

CETTE GARANTIE LIMITÉE VOUS CONFÈRE DES DROITS PRÉCIS. IL EST POSSIBLE QUE VOUS DISPOSIEZ ÉGALEMENT D'AUTRES DROITS, QUI VARIENT D'UN ÉTAT, D'UNE PROVINCE OU D'UN PAYS À L'AUTRE.

CETTE GARANTIE LIMITÉE S'APPLIQUE UNIQUEMENT AUX ARTICLES VENDUS AUX ÉTATS-UNIS D'AMÉRIQUE, AU CANADA ET À L'ÉTAT LIBRE DE PORTO RICO. POUR CONNAÎTRE LA COUVERTURE DE LA GARANTIE DANS D'AUTRES PAYS, VEUILLEZ COMMUNIQUER AVEC VOTRE DÉTAILLANT OU IMPORTATEUR SKIL LOCAL.

© Chevron North America, 1203 E. Warrenville Rd, Naperville, IL 60563.

08/18

