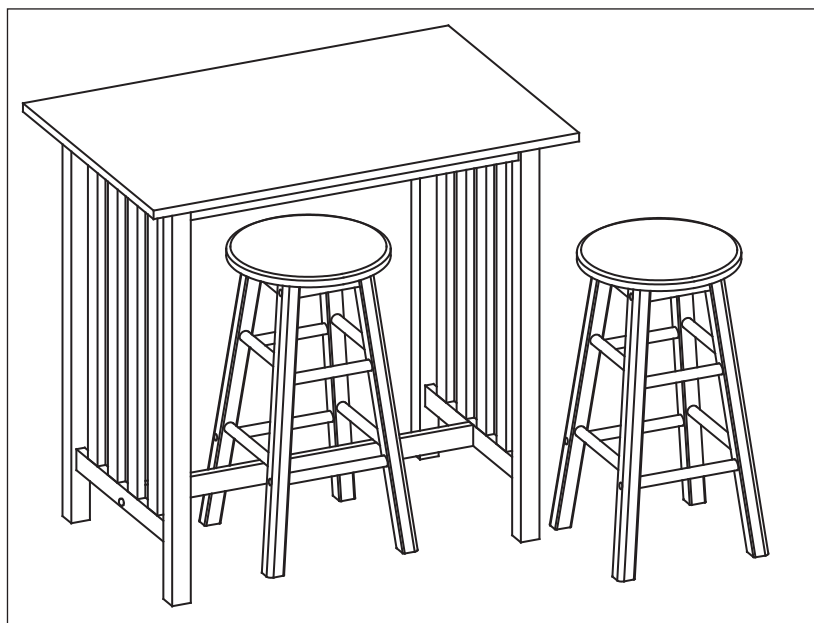


Assembly Instruction

Item #124-9X

3 Pcs. Breakfast Set

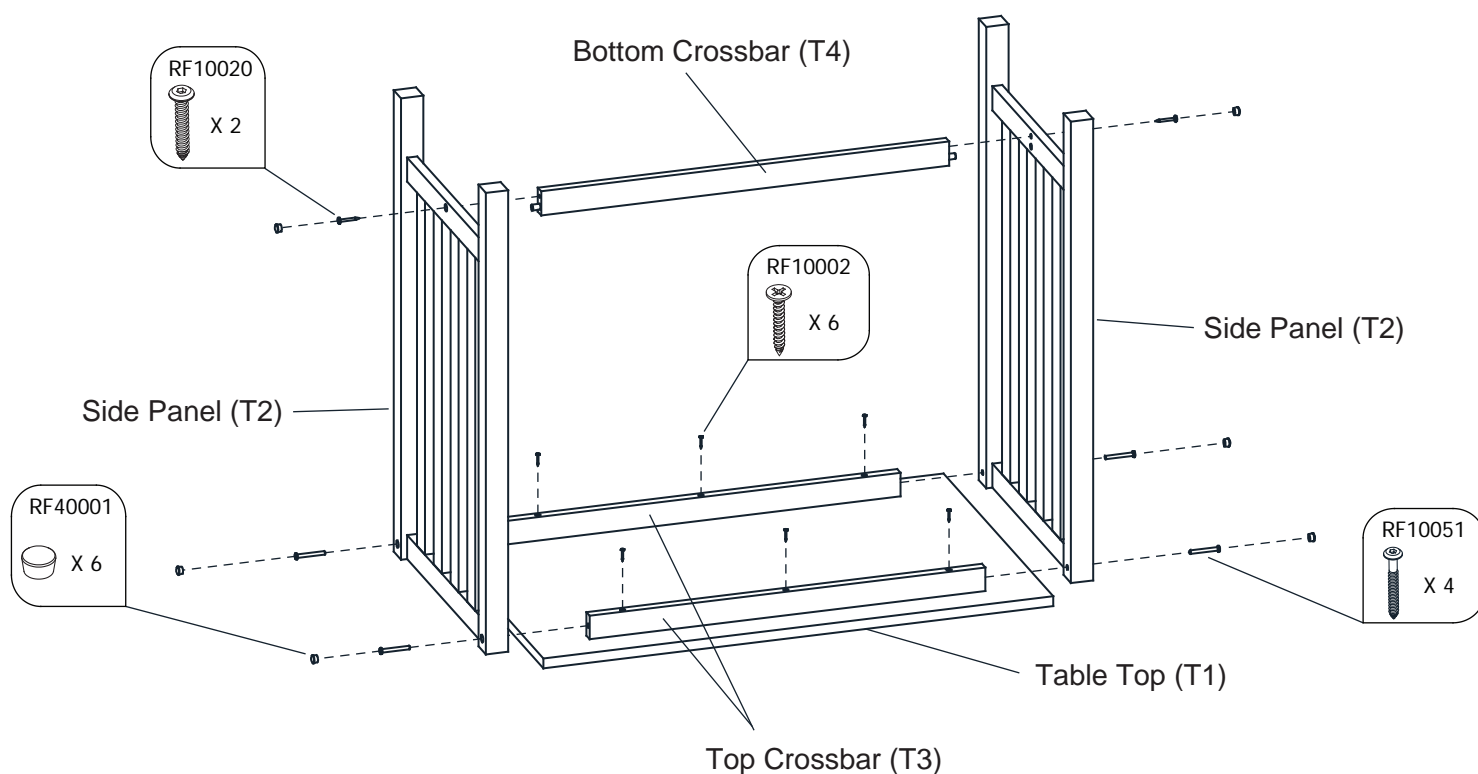


LIST OF WOODEN PARTS

No.	Description	Q'ty
T1	Table Top	1
T2	Side Panel	2
T3	Top Crossbar	2
T4	Bottom Crossbar	1

LIST OF HARDWARE

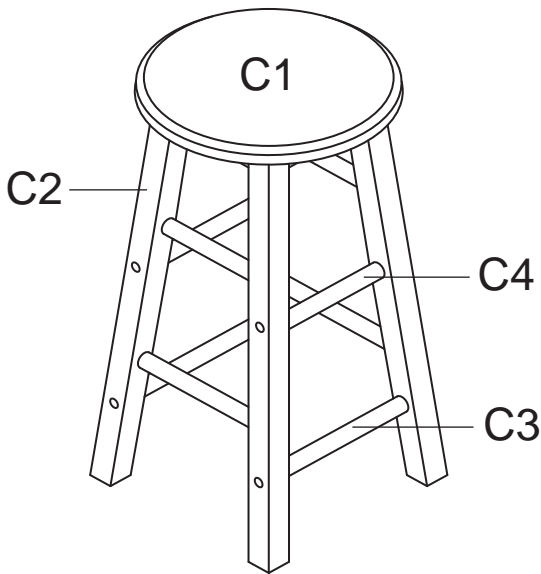
RF10002	Screw F6 x 1 1/4"	6
RF10020	Screw JCA 1/4" x 38	2
RF10051	Screw JCA 1/4" x 50	4
RF40001	Wood Plug	6
RF40103	Allen Key	1



Assembly Table

1. Invert Table Top (T1) on a soft surface.
Attach 2 Top Crossbar (T3) into the Table Top (T1) using 6 Screw (RF10002).
2. Attach 2 Side Panel (T2) and Bottom Crossbar(T4) and Top Crossbar (T3) together using 4 Screw (RF10051) and 2 Screw (RF10020) and cover screw holes with Wood Plug (40001)as shown in diagram.

2 Barstools

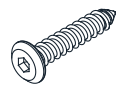


LIST OF WOODEN PARTS

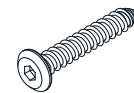
No.	Description	Q'ty
C1	Seat	2
C2	Side Panel	4
C3	Long Round Wood	4
C4	Short Round Wood	4

LIST OF HARDWARE

RF10003	Screw JCA 1/4" x 32	8
RF10020	Screw JCA 1/4" x 38	8
RF40001	Wood Plug	16



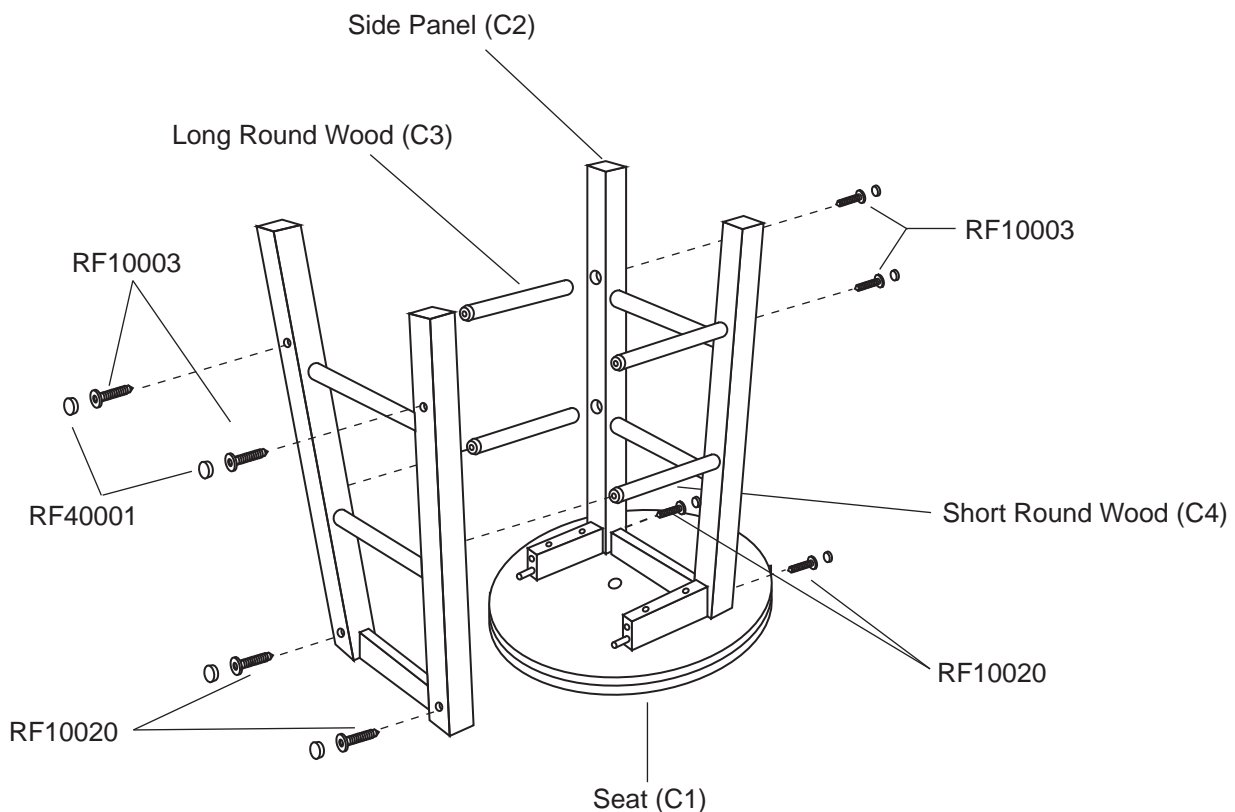
RF10003



RF10020



RF40001



Assembly Stool

1. Lay seat (C1) on floor and insert one side panel(C2).
 2. Insert and fasten short (C3) and long (C4) round wood per diagram, using screws provided.
- CAUTION : DO NOT TIGHTEN SCREWS UNTIL UNIT IS COMPLETELY ASSEMBLED.**
3. Attach other side panel and fasten screws.
 4. Tighten screws by using Allen Key provided.
 5. Insert wood plugs.